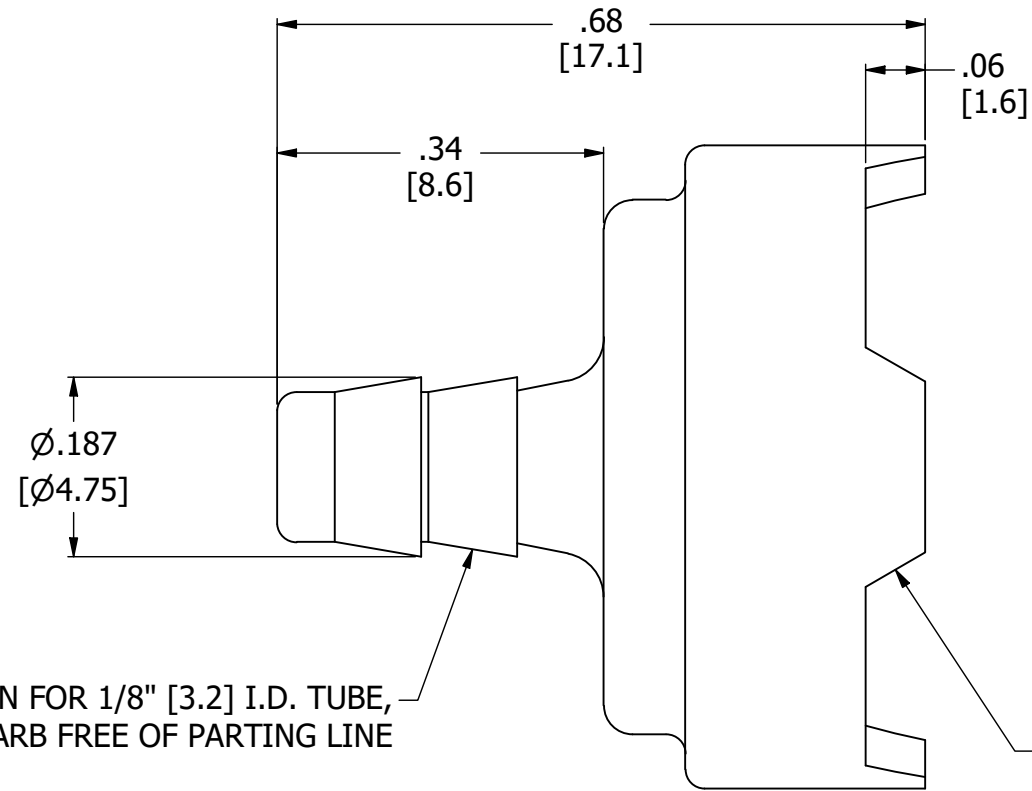


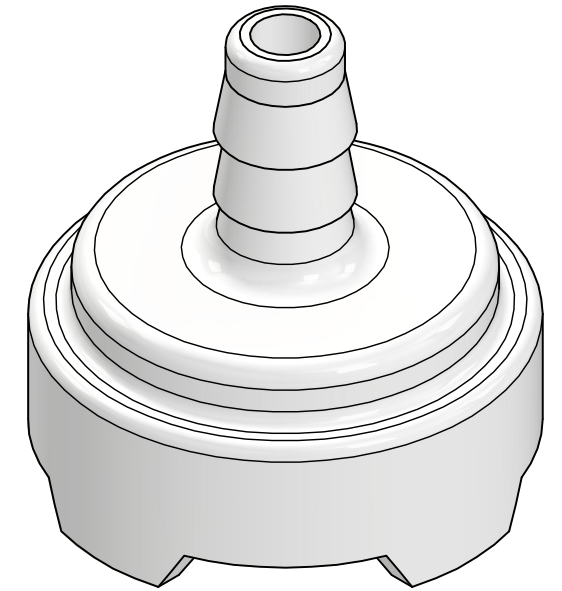
NOTES:
 1. ALL DIMENSIONS FOR REFERENCE ONLY
 2. TUBE RETENTION PRESSURE SUBJECT TO TUBING DIMENSION AND STIFFNESS



BARBED CONNECTION FOR 1/8" [3.2] I.D. TUBE,
 FIRST BARB FREE OF PARTING LINE

STAND-OFF FROM FLAT SURFACES

Ø.67
 [Ø17.0]



FILTERED AREA:
 .228 in²
 [147 mm²]

PRODUCT SPECIFICATIONS	
COLOR(S)	NATURAL PVDF
FILTER SIZE	70 MICRON
MEDIA	GASES, LIQUIDS
TYPICAL TUBE RETENTION PRESSURE	100 PSI, [6.9 BAR], NOTE 2
WETTED MATERIALS	Ø.093, [Ø2.36]
RECOMMENDED SYSTEM FILTRATION	PVDF



AIR-LOGIC @ DIVISION OF KNAPP MFG, INC.
 5102 DOUGLAS AVE RACINE, WI 53402
 PHONE: (262) 639-9035 FAX: (262) 639-5996 WEB: AIR-LOGIC.COM

PART/DRAWING NO.:

F81070B85PVDF

DESCRIPTION:
 70 MICRON FILTERED INTAKE, PVDF., 1/8" BARB

REVISION: A	DRAWN: 1/17/2022
SCALE: 5 : 1	SHEET SIZE: B

TERMS OF USE:
 THIS DRAWING IS FOR INFORMATIONAL PURPOSES ONLY. AIR LOGIC MAKES NO REPRESENTATIONS OF WARRANTIES CONCERNING SUITABILITY FOR ANY PARTICULAR PURPOSE. ALL PRODUCTS SUPPLIED ARE SUBJECT TO TERMS AND CONDITIONS FOUND AT AIR-LOGIC.COM

DRAWING TAKES PRECEDENCE OVER 3D MODEL GEOMETRY
 TOLERANCE: DECIMALS .00 ± .01, .000 ± .005, FRACTIONS ± 1/64
 ANGLES 1/4° UNLESS OTHERWISE SPECIFIED
 UNITS: INCHES [MILLIMETERS]